

HIKVISION<sup>®</sup>



# Hikvision Commercial Displays

## Product Quick Guide

LED, Interactive Flat Panels, LCD, Digital Signage



# Who is Hikvision?

## Our Mission and Vision

Hikvision is an IoT solution and big data service provider with video as its core competency

### Vision

Empower vision for the security and sustainable growth of the world.

### Mission

To explore innovative ways to better perceive and understand the world.  
To empower vision for decision-makers and practitioners, and work together to enhance safety and advance sustainable development around the world.

# Hikvision At a Glance

Compound growth rate from 2010 to 2020 **33.21%**



Total revenue in 2020 **\$9.20B**



International subsidiaries and branch offices **66**

**100,000+** Partners globally

Countries and regions using our products **150+**

**2001**  
Year founded

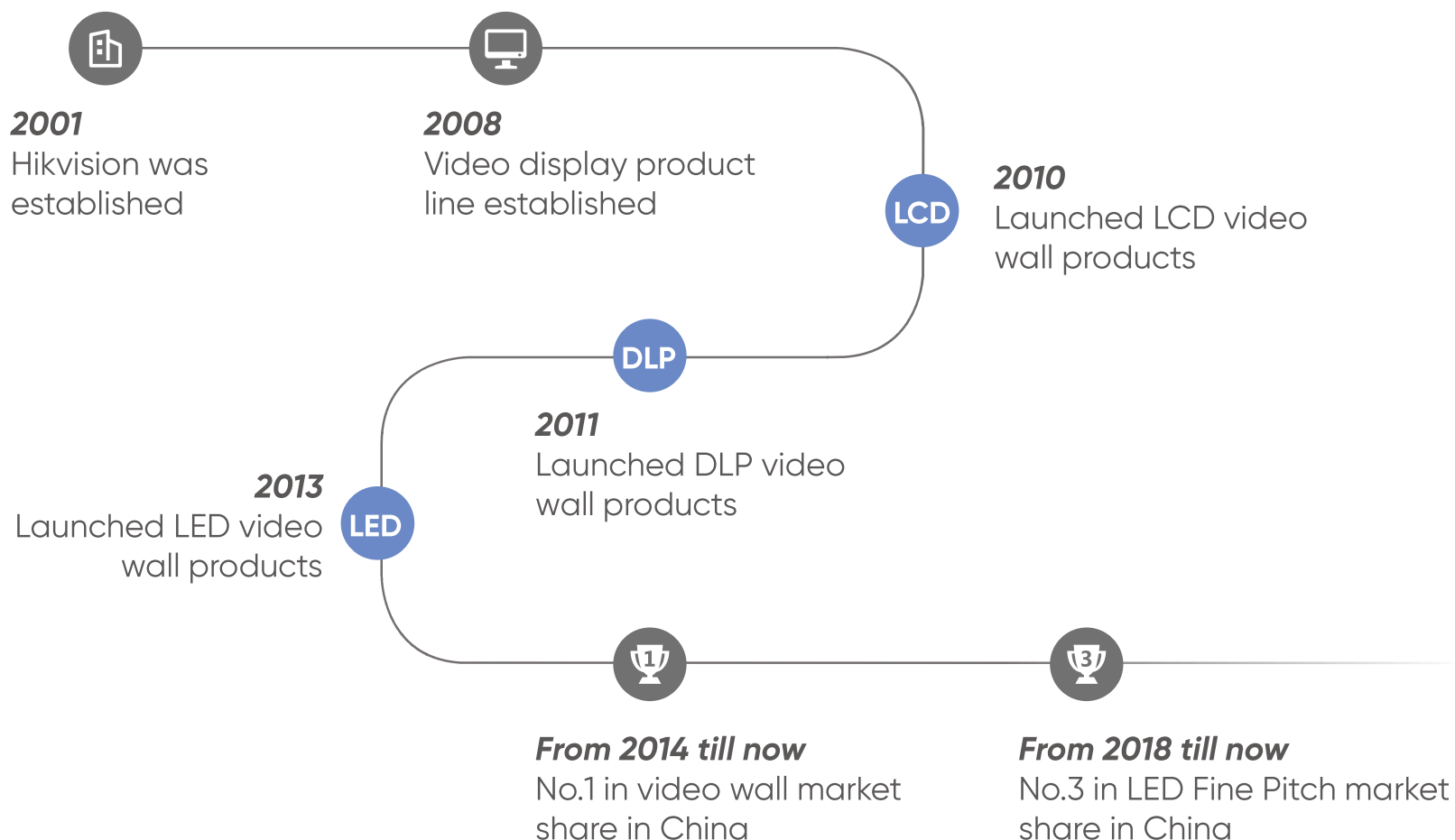
**19+**  
Years steady growth

**42,000+**  
Employees worldwide

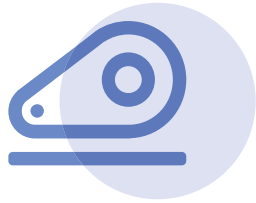
**20,000+**  
R&D engineers

**Over 9%**  
Annual revenue invested in R&D

# Hikvision Display Product Development Timeline



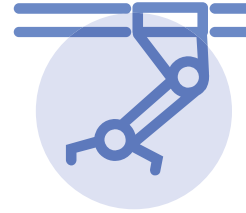
# Hikvision LED Production Line



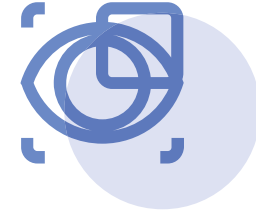
Fully imported ultra-high-speed patch line, capable of patching 64 million lamp beads per day, about 220m<sup>2</sup> P1.8.



The first in the industry to acquire a fully-automated aging test.



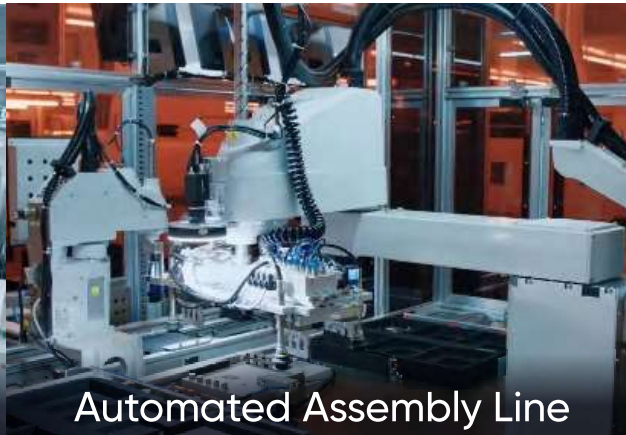
Independently developed an automated LED assembly line, greatly improving production efficiency.



Hikvision's own machine vision technology monitors aging data in real time, and comprehensively improves delivery efficiency and product quality.



SMT Production Line



Automated Assembly Line



Automatic Aging Test Line

# COMMERCIAL DISPLAYS

- LED
- Interactive Flat Panels
- LCD
- Digital Signage

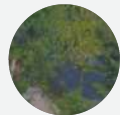
# Hikvision LEDs Highlighted Features

## True-to-Life Display

### PixMaster Pixel Control Technology



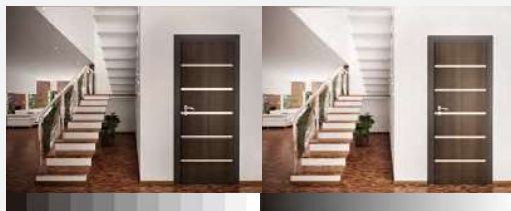
Hikvision LED



Ordinary LED

Proprietary image processing technology enhances image clarity without loss of detail.

### Top Grayscale



Conventional

22 Bit Grayscale

The 22-bit top grayscale brings you a wider range of color grades.

## Simple Usability

### Powerful LED Controller



#### High Capacity

- Up to 4096 x 2160 @ 60 Hz
- Dual-signal backup

#### Upgrade On Cloud

- One-click convenient system upgrading using EZVIZ cloud

#### Self-splicing

- Self-splicing up to four 4K displays without needing video wall controller

### Convenient Remote Control

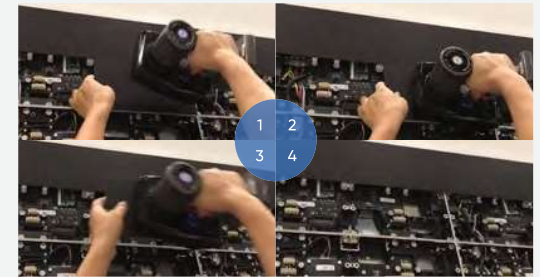


LED screen

Convenient to use with the handheld Remote Control, including adjustment of display modes & signal source switches, brightness level, automatic dehumidification and blue light filtering.

## Easy Installation and Maintenance

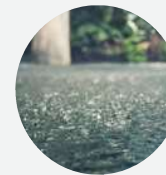
### Quick Front Maintenance



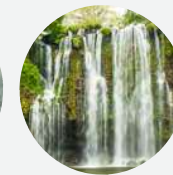
Wireless front maintenance tool for quick removal of LED modules and maintenance of internal electronic components.

### Automatic Dehumidification

- One-click automatic dehumidification
- Extended LED lifespan and reduced broke light rate by 30%



Rainy Season



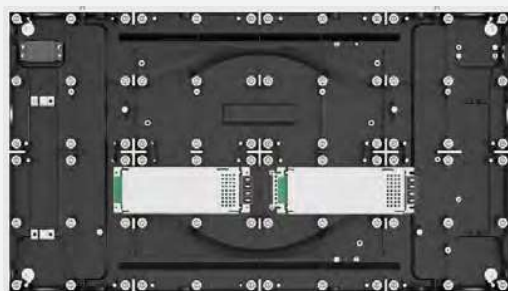
Moisture Region



Coastal Areas

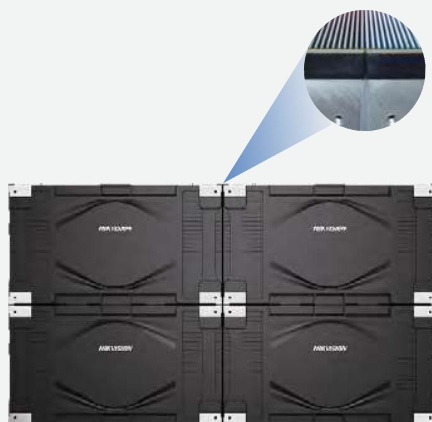
# High-Quality Hardware

## Dual Power Supply



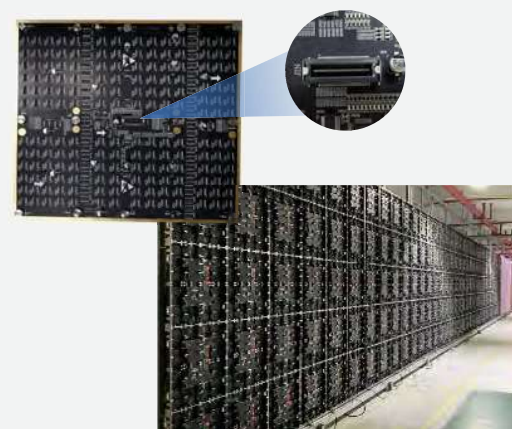
Dual power backup design ensures more stable and secure operation.

## High-Precision Seamless Splicing



Die-cast aluminum cabinet is lightweight and strong, ensuring seamless, high-precision splicing.

## Floating Connector Design



The connector can move slightly, helping to adjust lamp board flatness

## First-Class Components

Hikvision LEDs use first-class industry components: LED lamps, LED packaging, driver IC chips, PFC power supplies, and cabinet materials.









# Indoor LED Display





Model		DS-D4209FI-MWF	DS-D4212FI-GWF/III	DS-D4212FI-CWF/III	DS-D4212FI-MWF	DS-D4215FI-GWF/III
Image						
Module Composition	Pixel Structure	Surface mounted quaternary LED	SMD Triad LED			
	Pixel Pitch (mm)	0.9375 mm	1.25 mm			1.5625 mm
	Module Resolution (W × H)	320 × 90	240 × 67			192 × 54
	Module Dimensions (W × H)	300 × 84.375 mm				
	Unit Module Composition (W × H)	2 × 4				
Unit Composition	Unit Resolution (W × H)	640 × 360	480 × 270			384 × 216
	Unit Dimensions (W × H)	600 × 337.5 mm				
	Weight	5.4 kg (11.9 lbs)				
	Pixel Density	142,222 dots/m <sup>2</sup>	640,000 dots/m <sup>2</sup>			409,600 dots/m <sup>2</sup>
	Unit Ratio	16 : 9				
	Maintenance Mode	Front-maintenance				
Optical Parameters	Brightness (nits)	800 nits				
	Color Temperature	3,000 K to 10,000 K adjustable				
	Viewing Angle	Horizontal 160°, vertical 160°				
	Luminous Point Center Distance Deviation	< 3%				
	Brightness Uniformity	≥ 97%				
	Color Uniformity	≤ ± 0.003Cx, Cy				
	Max. Contrast	≥ 5,000 : 1				
Electrical Parameters	Peak Consumption (W/m <sup>2</sup> )	142 W/m <sup>2</sup>	600 W/m <sup>2</sup>			450 W/m <sup>2</sup>
	Average Consumption (W/m <sup>2</sup> )	47 W/m <sup>2</sup>	200 W/m <sup>2</sup>			150 W/m <sup>2</sup>
	Power Supply	110 to 240 VAC ± 15%				
Processing Performance	Drive Mode	Constant current driving				
	Frame Rate	60 Hz				
	Refresh Rate	Up to 3,840 Hz				
General	Service Life (H)	> 100,000 (H)				
	Temperature	-10 to 40 °C (10 to 104 °F)				
	Humidity (RH)	10% to 80% (non-condensing)			10% to 60% (non-condensing)	10% to 80% (non-condensing)

Model		DS-D4215FI-CWF/III	DS-D4215FI-MWF	DS-D4218FI-CWF/III	DS-D4225FI-CWF/III
Image					
Module Composition	Pixel Structure	SMD Triad LED	SMD Quaternary LED	SMD Triad LED	
	Pixel Pitch (mm)	1.5625 mm	1.56 mm	1.875 mm	2.48 mm
	Module Resolution (W × H)	192 × 54	192 × 54	160 × 45	120 × 34
	Module Dimensions (W × H)	300 × 84.375 mm			
	Unit Module Composition (W × H)	2 × 4			
Unit Composition	Unit Resolution (W × H)	384 × 216		320 × 180	240 × 136
	Unit Dimensions (W × H)	600 × 337.5 mm			
	Weight	5.4 kg (11.9 lbs)			
	Pixel Density	409,600 dots/m <sup>2</sup>		284,444 dots/m <sup>2</sup>	161,185 dots/m <sup>2</sup>
	Unit Ratio	16 : 9			
	Maintenance Mode	Front-maintenance			
Optical Parameters	Brightness (nits)	800 nits	600 nits	800 nits	
	Color Temperature	3,000 K to 10,000 K adjustable			
	Viewing Angle	Horizontal 160°, vertical 160°			
	Luminous Point Center Distance Deviation	< 3%			
	Brightness Uniformity	≥ 97%			
	Color Uniformity	≤ ± 0.003 Cx, Cy			
	Max. Contrast	≥ 5,000 : 1	≥ 3,000 : 1		≥ 5,000 : 1
Electrical Parameters	Peak Consumption (W/m <sup>2</sup> )	450 W/m <sup>2</sup>	550 W/m <sup>2</sup>	345 W/m <sup>2</sup>	375 W/m <sup>2</sup>
	Average Consumption (W/m <sup>2</sup> )	150 W/m <sup>2</sup>	183 W/m <sup>2</sup>	115 W/m <sup>2</sup>	125 W/m <sup>2</sup>
	Power Supply	110 to 240 VAC ± 15%			
Processing Performance	Drive Mode	Constant current driving			
	Frame Rate	60 Hz			
	Refresh Rate	Up to 3,840 Hz			
General	Service Life (H)	≥ 100,000 (H)			
	Temperature	-10 to 40 °C (10 to 104 °F)			
	Humidity (RH)	10% to 80% (non-condensing)	10% to 60% (non-condensing)	10% to 80% (non-condensing)	





Model		DS-D4418FI-CAF(B)	DS-D4425FI-CAF(B)	DS-D4425FI-CKF
Image				
Module Composition	Pixel Structure	SMD Triad LED		SMD 3-IN-1 LED
	Pixel Pitch (mm)	1.875 mm	2.5 mm	2.5 mm
	Module Resolution (W × H)	128 × 144	96 × 108	85 × 96
	Module Dimensions (W × H)	240 × 270 mm		213.33 × 240 mm
	Unit Module Composition (W × H)	2 × 2		3 × 2
Unit Composition	Unit Resolution (W × H)	256 × 288	192 × 216	256 × 192
	Unit Dimensions (W × H)	480 × 540 mm		640 × 480 mm
	Weight	3.5 kg (7.72 lbs)	3.5 Kg (7.72lb), 6.9 Kg(15.21lbs)	8.8 Kg (19.4 lbs)
	Pixel Density	284,444 dots/m <sup>2</sup>	160,000 dots/m <sup>2</sup>	
	Unit Ratio	16 : 9		
	Maintenance Mode	Front-maintenance		
Optical Parameters	Brightness (nits)	800 nits		600 nits
	Color Temperature	3,000 K to 10,000 K adjustable		
	Viewing Angle	Horizontal 160°, vertical 160°		
	Luminous Point Center Distance Deviation	≤ 3%		
	Brightness Uniformity	≥ 97%		
	Color Uniformity	≤ ± 0.003Cx, Cy		
	Max. Contrast	≥ 5,000 : 1		
Electrical Parameters	Peak Consumption (W/m <sup>2</sup> )	600 W/m <sup>2</sup>		
	Average Consumption (W/m <sup>2</sup> )	200 W/m <sup>2</sup>		
	Power Supply	110 to 240 VAC ± 15%		
Processing Performance	Drive Mode	Constant current driving		
	Frame Rate	60 Hz		
	Refresh Rate	Up to 3,840 Hz	3,840 Hz	
General	Service Life (H)	> 100,000 (H)		
	Temperature	-10 to 40 °C (10 to 104 °F)		
	Humidity (RH)	10% to 80% (non-condensing)		

# Outdoor LED Display

Model		DS-D4240FO	DS-D4250FO	DS-D4260FO
Image				
Module Composition	Pixel Structure	SMD Triad LED		
	Pixel Pitch (mm)	4.0 mm	5.0 mm	6.67 mm
	Module Resolution (W × H)	80 × 40	64 × 32	48 × 24
	Module Dimensions (W × H)	320 × 160 mm		
Unit Composition	Unit Module Composition (W × H)	3 × 6		
	Unit Resolution (W × H)	240 × 240	192 × 192	144 × 144
	Unit Dimensions (W × H)	960 × 960 mm		
	Weight	29 kg (63.9 lbs)		
	Pixel Density	62,500 dots/m <sup>2</sup>	40,000 dots/m <sup>2</sup>	22,500 dots/m <sup>2</sup>
	Unit Ratio	1 : 1		
	Maintenance Mode	Rear-maintenance		
Optical Parameters	Brightness (nits)	≥ 5,500 nits		≥ 6,000 nits
	Color Temperature	2,000 K to 9,300 K adjustable		
	Viewing Angle	Horizontal: 140° Vertical: 140°		
	Luminous Point Center Distance Deviation	<3%		
	Brightness Uniformity	≥ 95%	≥ 97%	
	Color Uniformity	≤ ± 0.003Cx, Cy		
Electrical Parameters	Peak Consumption	850 W/m <sup>2</sup>		
	Average Consumption	280 W/m <sup>2</sup>		
	Power Supply	110 to 240 VAC ± 15%		
Processing Performance	Drive Mode	Constant current driving		
	Frame Rate	60 Hz		
	Refresh Rate	3,840 Hz		
General	Service Life (H)	>100,000 (H)		
	Temperature	-10 to 55 °C (14 to 131 °F)		
	Humidity (RH)	10% to 80% (Non-condensing)	10% to 90% (Non-condensing)	10% to 80% (Non-condensing)

Model		DS-D4280FO	DS-D42A0FO	DS-D42A0FO-D	DS-D42A6FO-D
Image					
Module Composition	Pixel Structure	SMD Triad LED		DIP Triad LED	
	Pixel Pitch (mm)	8.0 mm	10.0 mm		16.0 mm
	Module Resolution (W × H)	40 × 20	32 × 16		20 × 10
	Module Dimensions (W × H)	320 × 160 mm			
Unit Composition	Unit Module Composition (W × H)	3 × 6			
	Unit Resolution (W × H)	120 × 120	96 × 96		60 × 60
	Unit Dimensions (W × H)	960 × 960 mm			
	Weight	29 kg (63.9 lbs)			
	Pixel Density	15,625 dots/m <sup>2</sup>	10,000 dots/m <sup>2</sup>		3,906 dots/m <sup>2</sup>
	Unit Ratio	1 : 1			
	Maintenance Mode	Rear-maintenance			
Optical Parameters	Brightness (nits)	≥ 6,000 nits		≥ 7,500 nits	
	Color Temperature	2,000 K to 9,300 K adjustable			
	Viewing Angle	Horizontal: 140° Vertical: 140°		Horizontal: 110° Vertical: 50°	
	Luminous Point Center Distance Deviation	<3%			
	Brightness Uniformity	≥ 97%			
	Color Uniformity	≤ ± 0.003Cx, Cy			
Electrical Parameters	Peak Consumption	780 W/m <sup>2</sup>		500 W/m <sup>2</sup>	
	Average Consumption	260 W/m <sup>2</sup>		165 W/m <sup>2</sup>	
	Power Supply	110 to 240 VAC ± 15%			
Processing Performance	Drive Mode	Constant current driving			
	Frame Rate	60 Hz			
	Refresh Rate	3,840 Hz			
General	Service Life (H)	>100,000 (H)			
	Temperature	-10 to 55 °C (14 to 131 °F)			
	Humidity (RH)	10% to 80% (Non-condensing)			





Model		DS-D4225FO-BGF	DS-D4239FO-BGF	DS-D4248FO-BGF
Image				
Module Composition	Pixel Structure	SMD 3-IN-1 LED		
	Pixel Pitch (mm)	2.5 mm	3.9 mm	4.8 mm
	Module Resolution (W × H)	100 × 100	64 × 64	52 × 52
	Module Dimensions (W × H)	250 × 250 mm		
Unit Composition	Unit Module Composition (W × H)	2 × 2		
	Unit Resolution (W × H)	200 × 200	128 × 128	104 × 104
	Unit Dimensions (W × H)	500 × 500 mm		
	Weight	8.25 Kg		
	Pixel Density	160,000 dots/m <sup>2</sup>	65,536 dots/m <sup>2</sup>	43,264 dots/m <sup>2</sup>
	Unit Ratio	1 : 1		
	Maintenance Mode	Front-maintenance		
Optical Parameters	Brightness (nits)	5,000 nits	5,500 nits	
	Color Temperature	2,000 K to 9,300 K adjustable		
	Viewing Angle	Horizontal 140°, vertical 140°		
	Luminous Point Center Distance Deviation	< 3%		
	Brightness Uniformity	≥ 97%		
	Color Uniformity	≤ ± 0.003 Cx, Cy		
Electrical Parameters	Peak Consumption	750 W/m <sup>2</sup>		
	Average Consumption	250 W/m <sup>2</sup>		
	Power Supply	110 to 220 VAC ± 15%		
Processing Performance	Drive Mode	Constant current driving		
	Frame Rate	60 Hz		
	Refresh Rate	3,840 Hz		
General	Service Life (H)	> 100,000 (H)		
	Temperature	-10 to 55 °C (14 to 131 °F)		
	Humidity (RH)	10% to 80% (non-condensing)		




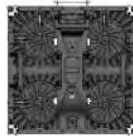
Model		DS-D4440FO	DS-D4450FO	DS-D4460FO	DS-D4480FO
Image					
Module Composition	Pixel Structure	1R1G1B			
	Pixel Pitch (mm)	4.0 mm	5.0 mm	6.0 mm	8.0 mm
	Module Resolution (W × H)	80 × 40	64 × 32	48 × 24	40 × 20
	Module Dimensions (W × H)	320 × 160 mm			
Unit Composition	Unit Module Composition (W × H)	3 × 6			
	Unit Resolution (W × H)	240 × 240	192 × 192	144 × 144	120 × 120
	Unit Dimensions (W × H)	960 × 960 mm			
	Weight	29 kg (63.9 lbs)			
	Pixel Density	62,500 dots/m <sup>2</sup>	40,000 dots/m <sup>2</sup>	27,777 dots/m <sup>2</sup>	15,625 dots/m <sup>2</sup>
	Unit Ratio	1 : 1			
	Maintenance Mode	Rear-maintenance			
Optical Parameters	Brightness (nits)	≥ 5,500 nits			
	Color Temperature	2,000 K to 9,500 K adjustable			
	Viewing Angle	Horizontal: 120°, Vertical: 120°			
	Luminous Point Center Distance Deviation	< 3%			
	Brightness Uniformity	≥ 95%	≥ 97%		
	Color Uniformity	≤ ± 0.003 Cx, Cy			
Electrical Parameters	Peak Consumption	900 W/m <sup>2</sup>	950 W/m <sup>2</sup>	900 W/m <sup>2</sup>	
	Average Consumption	300 W/m <sup>2</sup>	315 W/m <sup>2</sup>	300 W/m <sup>2</sup>	
	Power Supply	100 to 240 VAC ± 15%			
Processing Performance	Drive Mode	Constant Current Driving			
	Frame Rate	60 Hz			
	Refresh Rate	≥ 1,920 Hz			
General	Service Life (H)	>100,000 (H)			
	Temperature	-20 to 50 °C [-4 to 122 °F]			
	Humidity (RH)	10% to 90% (Non-condensing)			

Model		DS-D44A0FO	DS-D44A0FO-D	DS-D44A6FO-D
Image				
Module Composition	Pixel Structure	SMD3535	DIP Triad LED	
	Pixel Pitch (mm)	10.0 mm		16.0 mm
	Module Resolution (W × H)	32 × 16		20 × 10
	Module Dimensions (W × H)	320 × 160 mm		
Unit Composition	Unit Module Composition (W × H)	3 × 6		
	Unit Resolution (W × H)	96 × 96	60 × 60	
	Unit Dimensions	960 × 960 mm		
	Weight	29 kg (63.9 lbs)		
	Pixel Density	10,000 dots/m <sup>2</sup>	3,906 dots/m <sup>2</sup>	
	Unit Ratio	1 : 1		
	Maintenance Mode	Rear-maintenance		
Optical Parameters	Brightness (nits)	≥ 5,500 nits	≥ 7,500 nits	
	Color Temperature	2,000 K to 9,500 K adjustable	2,000 K to 9,300 K adjustable	
	Viewing Angle	Horizontal: 120°, Vertical: 120°	Horizontal: 110°, Vertical: 50°	
	Luminous Point Center Distance Deviation	<3%		
	Brightness Uniformity	≥ 97%		
	Color Uniformity	≤ ± 0.003 Cx, Cy		
Electrical Parameters	Peak Consumption	900 W/m <sup>2</sup>	500 W/m <sup>2</sup>	500 W/m <sup>2</sup>
	Average Consumption	300 W/m <sup>2</sup>	165 W/m <sup>2</sup>	165 W/m <sup>2</sup>
	Power Supply	100 to 240 VAC ± 15%	110 to 220 VAC ± 15%	
Processing Performance	Drive Mode	Constant Current Driving		
	Frame Rate	60 Hz		
	Refresh Rate	1,920 Hz	3,840 Hz	
General	Service Life (H)	>100,000 (H)		
	Temperature	-20 to 50 °C (-4 to 122 °F)	-10 to 55 °C (14 to 131 °F)	
	Humidity (RH)	10% to 90% (Non-condensing)	10% to 80% (Non-condensing)	







# Rental LED


Model		DS-D4226RI-CAF	DS-D4239RI-CAF	DS-D4426RI-CAF	DS-D4439RI-CAF
Image					
Module Composition	Pixel Structure	SMD Triad LED			
	Pixel Pitch (mm)	2,604 mm	3,906 mm	2,604 mm	3,906 mm
	Module Resolution (W × H)	96 × 96	64 × 64	96 × 96	64 × 64
	Module Dimensions (W × H)	250 × 250 mm			
	Unit Module Composition (W × H)	2 × 2			
Unit Composition	Unit Resolution (W × H)	192 × 192	128 × 128	192 × 192	128 × 128
	Unit Dimensions (W × H)	500 × 500 mm			
	Weight	7.7 kg (16.97 lbs)			
	Pixel Density	147,456 dots/m <sup>2</sup>	65,536 dots/m <sup>2</sup>	147,456 dots/m <sup>2</sup>	65,536 dots/m <sup>2</sup>
	Unit Ratio	1 : 1			
	Maintenance Mode	Front-maintenance			
Optical Parameters	Brightness (nits)	800 nits			
	Color Temperature	3,000 K to 10,000 K adjustable			
	Viewing Angle	Horizontal 160°, vertical 160°			
	Luminous Point Center Distance Deviation	< 3%			
	Brightness Uniformity	≥ 97%			
	Color Uniformity	≤ ± 0.003Cx, Cy			
	Max. Contrast	≥ 6,000 : 1			
Electrical Parameters	Peak Consumption (W/m <sup>2</sup> )	550 W/m <sup>2</sup>	460 W/m <sup>2</sup>	550 W/m <sup>2</sup>	460 W/m <sup>2</sup>
	Average Consumption (W/m <sup>2</sup> )	180 W/m <sup>2</sup>	150 W/m <sup>2</sup>	180 W/m <sup>2</sup>	150 W/m <sup>2</sup>
	Power Supply	110 to 220 VAC ± 15%			
Processing Performance	Drive Mode	Constant current driving			
	Frame Rate	60 Hz			
	Refresh Rate	Up to 3,840 Hz			
General	Service Life (H)	≥ 100,000 (H)			
	Temperature	-15 to 50 °C [5 °F to 122 °F]			
	Humidity (RH)	10% to 80% (non-condensing)			

Model		DS-D4239RO-CA	DS-D4248RO-CA	DS-D4439RO-CA	DS-D4448RO-CA
Image					
Module Composition	Pixel Structure	SMD Triad LED			
	Pixel Pitch (mm)	3.906 mm	4.8 mm	3.906 mm	4.8 mm
	Module Resolution (W × H)	64 × 64	52 × 52	64 × 64	52 × 52
	Module Dimensions (W × H)	250 × 250 mm			
	Unit Module Composition (W × H)	2 × 2			
Unit Composition	Unit Resolution (W × H)	128 × 128	104 × 104	128 × 128	104 × 104
	Unit Dimensions (W × H)	500 × 500 mm			
	Weight	8.5 Kg (18.74lbs)			
	Pixel Density	65,536 dots/m <sup>2</sup>	42,364 dots/m <sup>2</sup>	65,536 dots/m <sup>2</sup>	42,364 dots/m <sup>2</sup>
	Unit Ratio	1:1			
	Maintenance Mode	Front-maintenance			
Optical Parameters	Brightness (nits)	≥ 5,000 nits	≥ 4,500 nits	5,000 nits	4,500 nits
	Color Temperature	3,000 K to 10,000 K adjustable			
	Viewing Angle	Horizontal 160°, vertical 160°			
	Luminous Point Center Distance Deviation	< 3%			
	Brightness Uniformity	≥ 97%			
	Color Uniformity	≤ ± 0.003 Cx, Cy			
	Max. Contrast	≥ 6,000 : 1			
Electrical Parameters	Peak Consumption	680 W/m <sup>2</sup>			
	Average Consumption	230 W/m <sup>2</sup>			
	Power Supply	110 to 220 VAC ± 15%			
Processing Performance	Drive Mode	Constant current driving			
	Frame Rate	60 Hz			
	Refresh Rate	3,840 Hz			
General	Service Life (H)	> 100,000 (H)			
	Temperature	-15 to 50 °C (5 to 122 °F)			
	Humidity (RH)	10% to 85% (non-condensing)			

# LED Controller

Model		DS-D42C08-H	DS-D42C16-H	DS-D42C04-N	DS-D42C06-N
Image					
Interface	Video & Audio Input	HDMI × 2, DP × 1, DVI × 1		DVI × 1, HDMI × 1, Audio × 1	DVI × 1, HDMI × 2, 3G-SDI × 2, DVI+DVI LOOP × 1, USB × 1
	Video & Audio Output	HDMI × 1		RJ45 × 4	RJ45 × 4, DVI × 1
	Network Interface	8	16	4	
	Control Interface	RJ45 × 1		USB × 1	
Processing Performance	Max. Load Capacity	5 MP	10 MP	2,048 × 1,152 @ 60 Hz or 1,920 × 1,200 @ 60 Hz	2,560 × 440 @ 60 Hz
	Frame Frequency	50/60 Hz			
	Refresh Rate	3,840 Hz			
	Processing Depth	8 bit			
	Grey Level	16 bit			
	Display Color	281 trillion			
	Brightness Control	1 to 10 levels adjustable (gradual white balance)		Automatic/manual	
Electrical Parameters	Average Consumption	13.3 W		16 W	65 W
	Input Voltage	100 to 240 VAC @50/60 Hz			
Operating Environment	Operating Temperature	0 to 40 °C (32 to 104 °F)		-10 to 45 °C (14 to 113 °F)	
	Operating Humidity	10% to 80%		10% to 90%	
	Storage Temperature	-10 to 60 °C (14 to 140 °F)		-20 to 60 °C (-4 to 140 °F)	
	Storage Humidity	10% to 80%		10% to 90%	
General	Product Dimensions (W × H × D)	442 × 249.5 × 57 mm (17.40 × 9.82 × 2.24 inch)		428 × 250 × 44.4 mm (16.85 × 9.84 × 1.75 inch)	483.6 × 250.1 × 45 mm (19.04 × 9.85 × 1.77 inch)




## Multi-Function Card




Model		<b>DS-D42AM2</b>
Image		
Control Card Parameter	Sending Card Dimension (W × H × D)	200 × 42 × 126.7 mm (7.9 × 1.7 × 5.0 inch)
	Sending Card Weight	0.70 kg (1.5 lbs)
Electrical Parameter	Power Supply	12 VDC, 1A
	Peak Power	8 W
	Average Power	3 W
General	Operating Temperature	-10 to 40 °C (14 to 104 °F)
	Operating Humidity	10% to 90%
	Storage Temperature	-20 to 60 °C [-4 to 140 °F]
	Storage Humidity	10% to 90%
	Package Dimension (W × H × D)	317 × 82 × 242 mm (12.5 × 3.2 × 9.5 inch)
	Gross Weight	0.75 kg (1.7 lbs)
	Packing List	<ul style="list-style-type: none"> <li>Multi-functional card × 1</li> <li>Infrared remote control × 1</li> <li>Power adapter × 1</li> <li>Outer package × 1</li> </ul>




## Front Maintenance Tool

Model		<b>DS-D42MF2B</b>
Image		
Dimensions	350 × 220 × 230 mm (1.1 × 0.7 × 0.8 inch)	
Materials	N50 magnetic steel + ABS + Silica gel	
Color	Black	
Weight	2.9 kg (6.39 lbs)	
Generation	Second Generation	
Power	Lithium ion battery	
Battery Capacity	3,000 mAh	

# Indoor Standard Bracket

Model		DS-DL116033W	DS-DL126033W	DS-DL226033W
Image				
Default Parameters	Color	Black		
	Material	AL6063		
	Surface Treatment	Electrostatic spraying		
General	Dimensions [W × H × D]	640 × 380 × 80 mm [25.22 × 14.97 × 3.15 inch]	1,240 × 380 × 80 mm [48.86 × 14.97 × 3.15 inch]	1,240 × 710 × 80 mm [48.85 × 27.97 × 3.15 inch]
	Gross Weight	4.1 ± 0.5 kg [9.05 ± 1.1 lbs]	6.9 ± 0.5 kg [15.23 ± 1.1 lbs]	9.9 ± 0.5 kg [21.85 ± 1.1 lbs]
	Net Weight	2.5 ± 0.5 kg [5.51 ± 1.1 lbs]	4.0 ± 0.5 kg [8.83 ± 1.1 lbs]	4.9 ± 0.5 kg [10.81 ± 1.1 lbs]

Model		DS-DL114854W	DS-DL124854W	DS-DL224854W
Image				
Default Parameters	Color	Black		
	Material	AL6063		
	Surface Treatment	Electrostatic spraying		
General	Dimensions [W × H × D]	520 × 580 × 80 mm [20.49 × 22.85 × 3.15 inch]	1,000 × 580 × 80 mm [39.40 × 22.85 × 3.15 inch]	1,000 × 1,120 × 80 mm [39.40 × 44.13 × 3.15 inch]
	Gross Weight	4.3 ± 0.5 kg [9.49 ± 1.1 lbs]	7.5 ± 0.5 kg [16.55 ± 1.1 lbs]	11.0 ± 0.5 kg [24.28 ± 1.1 lbs]
	Net Weight	2.7 ± 0.5 kg [5.96 ± 1.1 lbs]	4.0 ± 0.5 kg [8.83 ± 1.1 lbs]	5.3 ± 0.5 kg [11.70 ± 1.1 lbs]

Model		DS-DL116448W	DS-DL126448W	DS-DL226448W
Image				
Default Parameters	Color	Black		
	Material	AL6063		
	Surface Treatment	Electrostatic spraying		
General	Dimensions [W × H × D]	680 × 530 × 80 mm [26.77 × 20.87 × 3.15 inch]	1,320 × 530 × 80 mm [51.97 × 20.87 × 3.15 inch]	1,320 × 1,010 × 80 mm [51.97 × 39.76 × 3.15 inch]
	Gross Weight	4.5 ± 0.5 Kg [9.9 ± 1.1 lbs]	8.3 ± 0.5 Kg [18.26 ± 1.1 lbs]	11 ± 0.5 Kg [24.2 ± 1.1 lbs]
	Net Weight	2.9 ± 0.5 Kg [6.49 ± 1.1 lbs]	4.7 ± 0.5 Kg [10.34 ± 1.1 lbs]	5.8 ± 0.5 Kg [12.76 ± 1.1 lbs]

# LED Poster Display

Model	DS-D4412MI-056	DS-D4414MI-067	DS-D4418MI-067
Image			
Pixel Configuration	SMD Triad LED		
Pixel Pitch Category	P1.2	P1.4	P1.8
Pixel Pitch	1.25 mm	1.499 mm	1.875 mm
Lamp Dimensions	1,010	1,212	1,515
Pixel Density	640,000 dots/m <sup>2</sup>	444,444 dots/m <sup>2</sup>	284,444 dots/m <sup>2</sup>
Maintenance Method	Front-maintenance		
Cabinet Flatness	≤ 0.2		
Dimensions (W × H × D)	491 × 1,713 × 46.5 mm		
Screen Area (W × H)	480 × 1,350 mm	480 × 1,620 mm	
Screen Resolution (W × H)	384 × 1,080		256 × 864
Material	Aluminum alloy		
White Balance Brightness	≥ 500 nits		
Color Temperature	2,000 K to 10,000 K adjustable		
Viewing Angle	Horizontal 160°, vertical 160°		
Brightness Uniformity	≥ 97%		
Color Uniformity	± 0.003 Cx, Cy		
Contrast Ratio	5,000 : 1		
Driving Method	Constant current driving 54 scan		
Frame Frequency	30 to 60 Hz		50/60 Hz
Refresh Rate	≥ 3,840 Hz		
Grey Level	65,536		
Input Voltage	200 to 240 VAC, 50/60 Hz		
Max. Consumption	800 W		
Average Consumption	230 W		
Working Temperature	- 10 to 45 °C (14 to 113 °F)		
Working Humidity (RH)	10% to 80% (non-condensing)		
Gross Weight	30 Kg (66.14 lbs)		

# Hikvision Commercial Displays

## Product Quick Guide

**HIKVISION**

Follow us on social media to get the latest product and solution information



HikvisionHQ



Hikvision



hikvisionhq



HikvisionHQ



Hikvision\_Global



Hikvision Corporate Channel



[www.hikvision.com](http://www.hikvision.com)